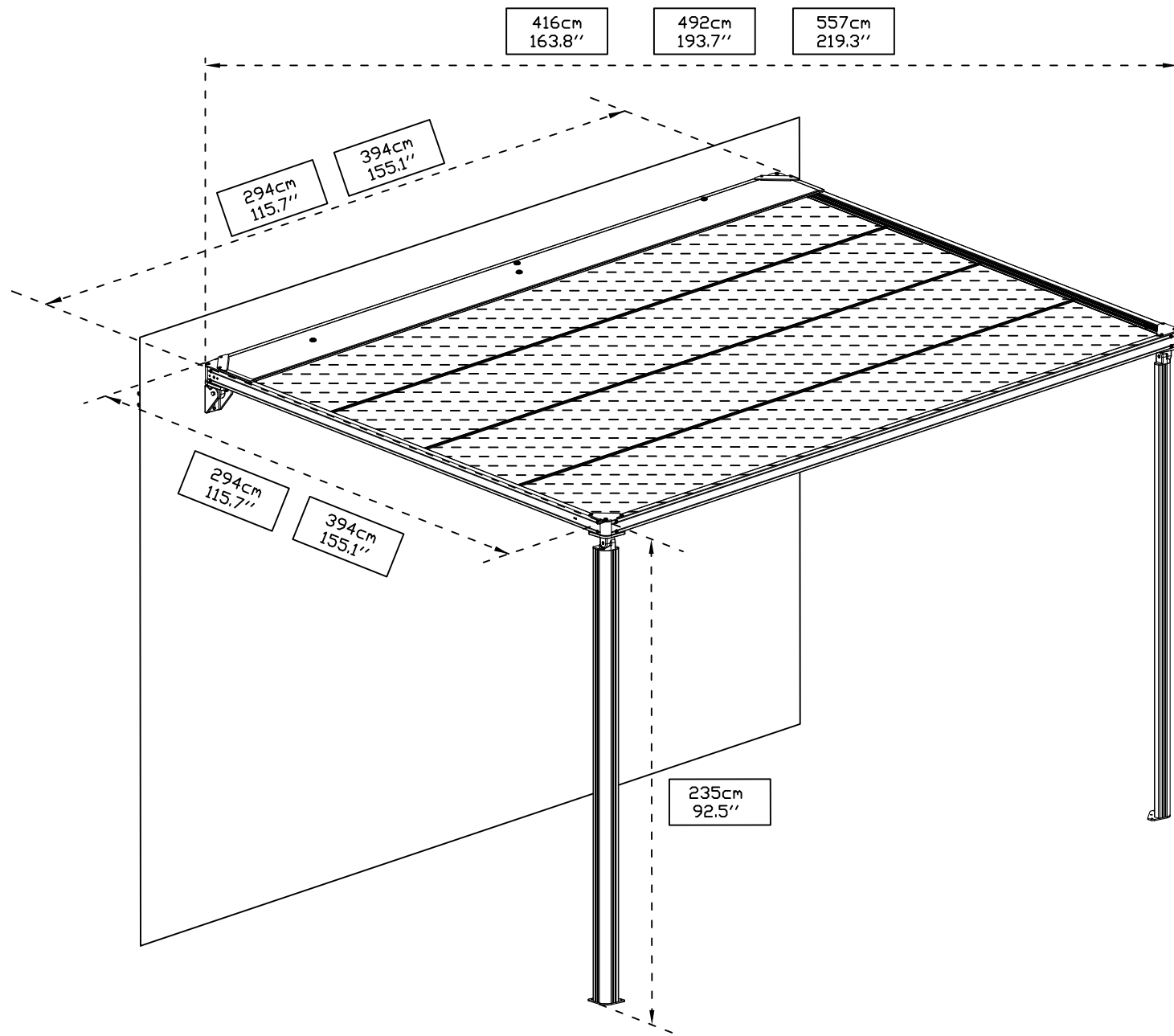



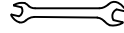
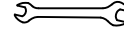
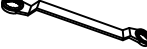

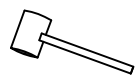


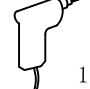
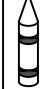
300Lx300W cm
116"x116"



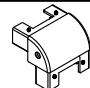



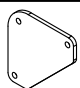



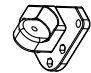
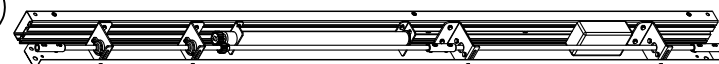

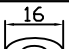
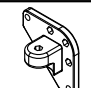
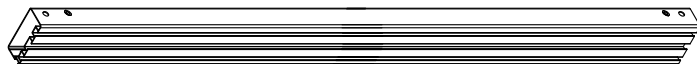


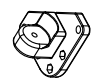
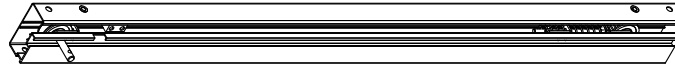


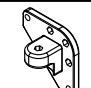
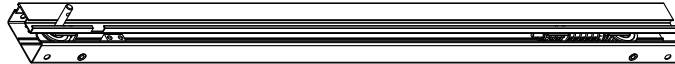







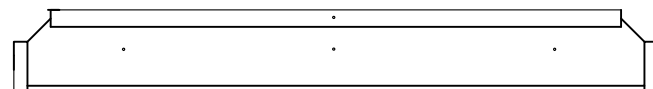
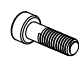






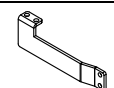

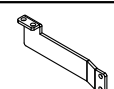
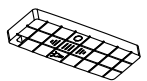
400Lx300W cm
155"x116"

300Lx400W cm
155"x116"

400Lx400W cm
155"x155"



- | | | | | | | | | | |
|---|--|--|---|---|---|---|---|--|---|
|  x2
>1.5m |  8mm 10mm |  13mm |  13mm |  ⊕ |  |  >5m |  |  10mm |  |
|---|--|--|---|---|---|---|---|--|---|

①	 x2 ø6	⑫	 x16+(2) M6x14	⑳	 x4	A	 R x1
②	 x2 M6x8	⑬	 x4 M8x100	㉑	 x4	B	 L x1
③	 x4 M6x10	⑭	 x22+(2) ø6	㉒	F-R  x1	C	 x1
④	 x4 M6x12	⑮	 x4 ø6x16	㉓	F-L  x1	D	 x1
⑤	 x4 M6x16	⑯	 x14+(2) ø8	㉔	B-R  x1	E	 R x1
⑥	 x4 M6x20	⑰	 x4 ø10	㉕	B-L  x1	F	 L x1
⑦	 x4 M6x30	⑱	 x4 M6	㉖	 x2	G	 x1
⑧	 x4 M6x40	㉒	 x6 M8	㉗	 x2	H	 x1
⑨	 x8 M6x20	㉓	 x2 M10	㉘	 x10 M8x75		
⑩	 x2 M8x50	㉔	 x2 M10	㉙	 x10 ø10x50		
⑪	 x2 M10x90	㉕	 x1	㉚	 x10 M8		
		㉖	 x1	㉛	 x1		

Ⓔ

×1

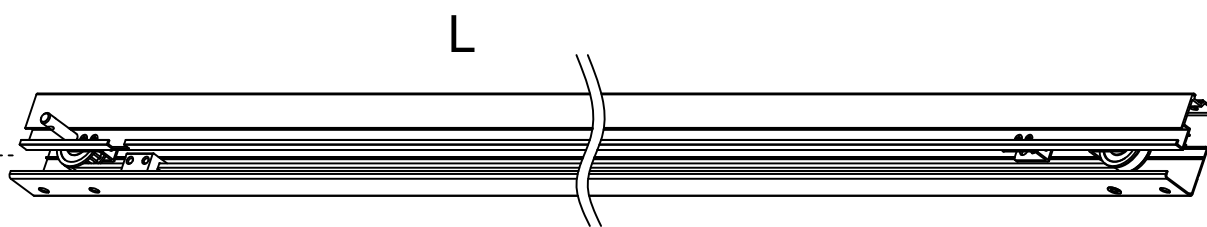
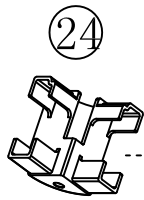
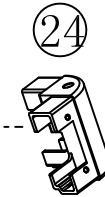
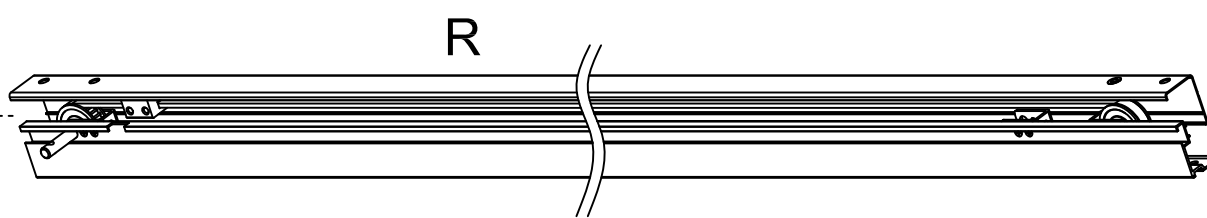
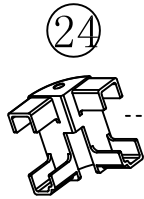
Ⓕ

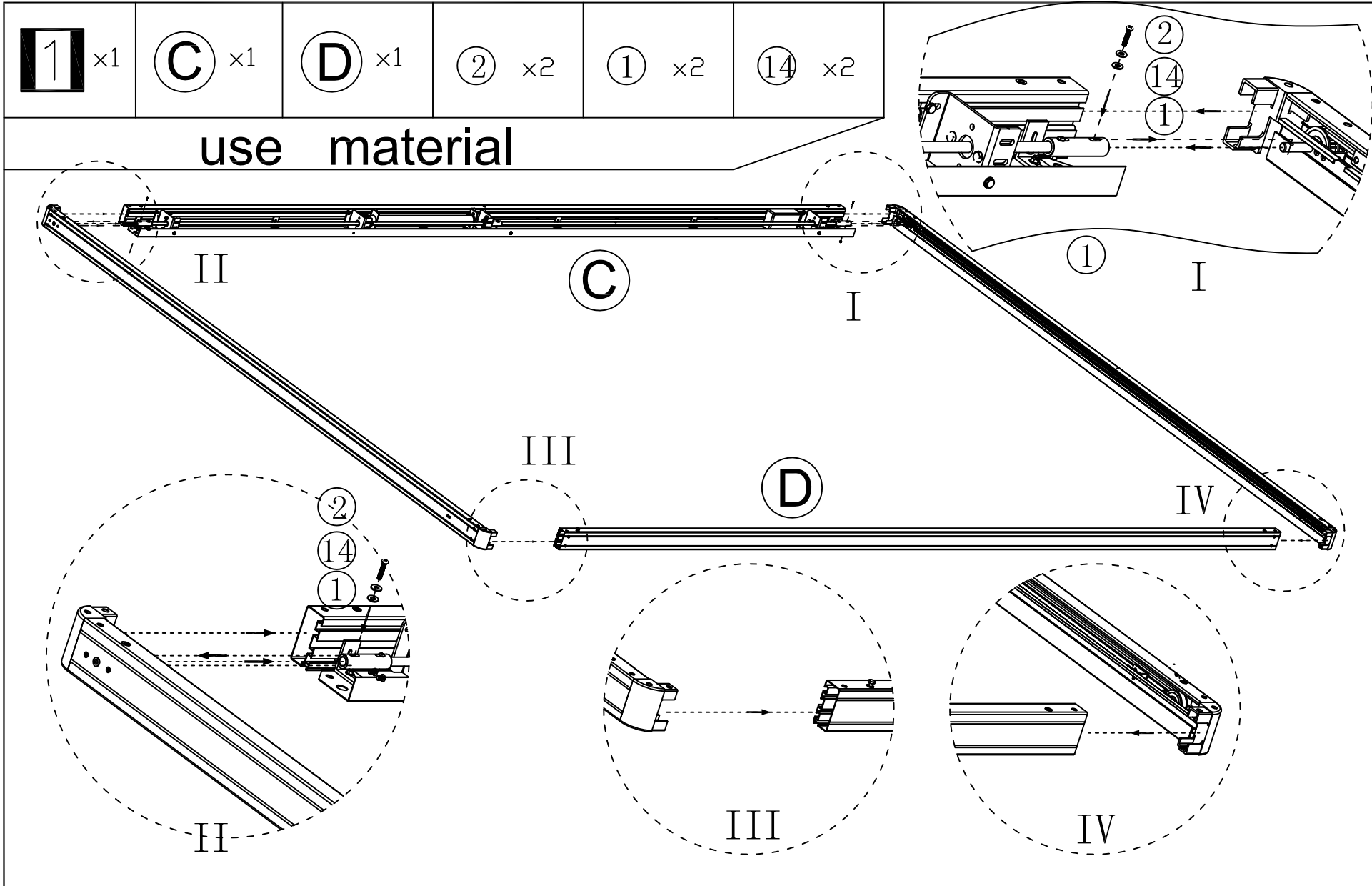
×1

Ⓒ

×4

use material





2

x1

25 x4

26 x1

F-R

27 x1

F-L

28 x1

B-R

29 x1

B-L

13 x4

16 x4

19 x4

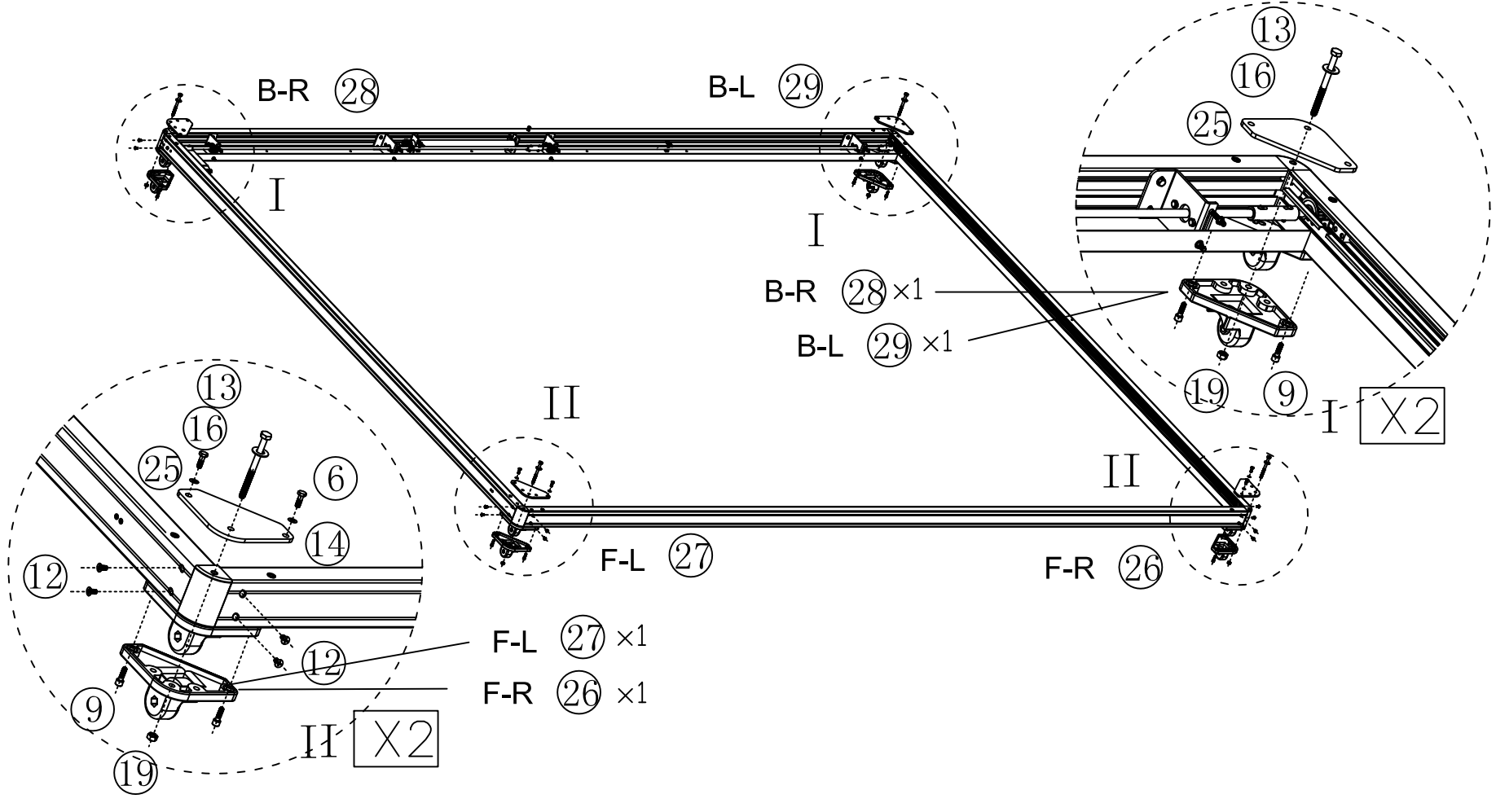
9 x8

6 x4

15 x4

12 x16

use material



③① × 2

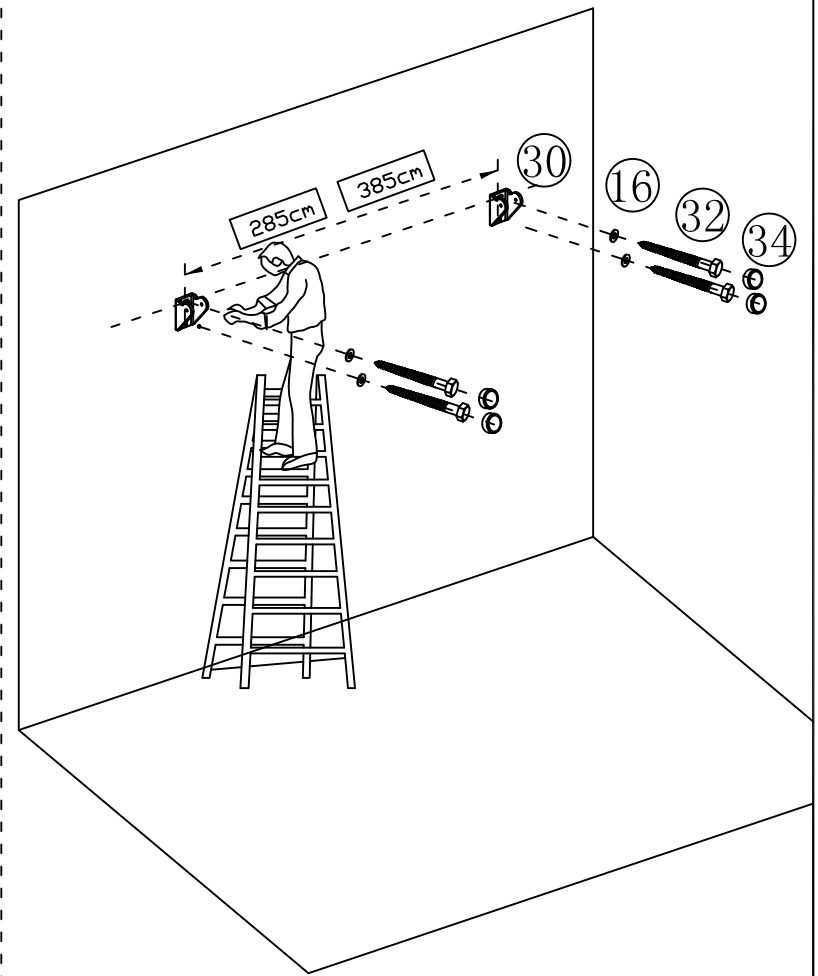
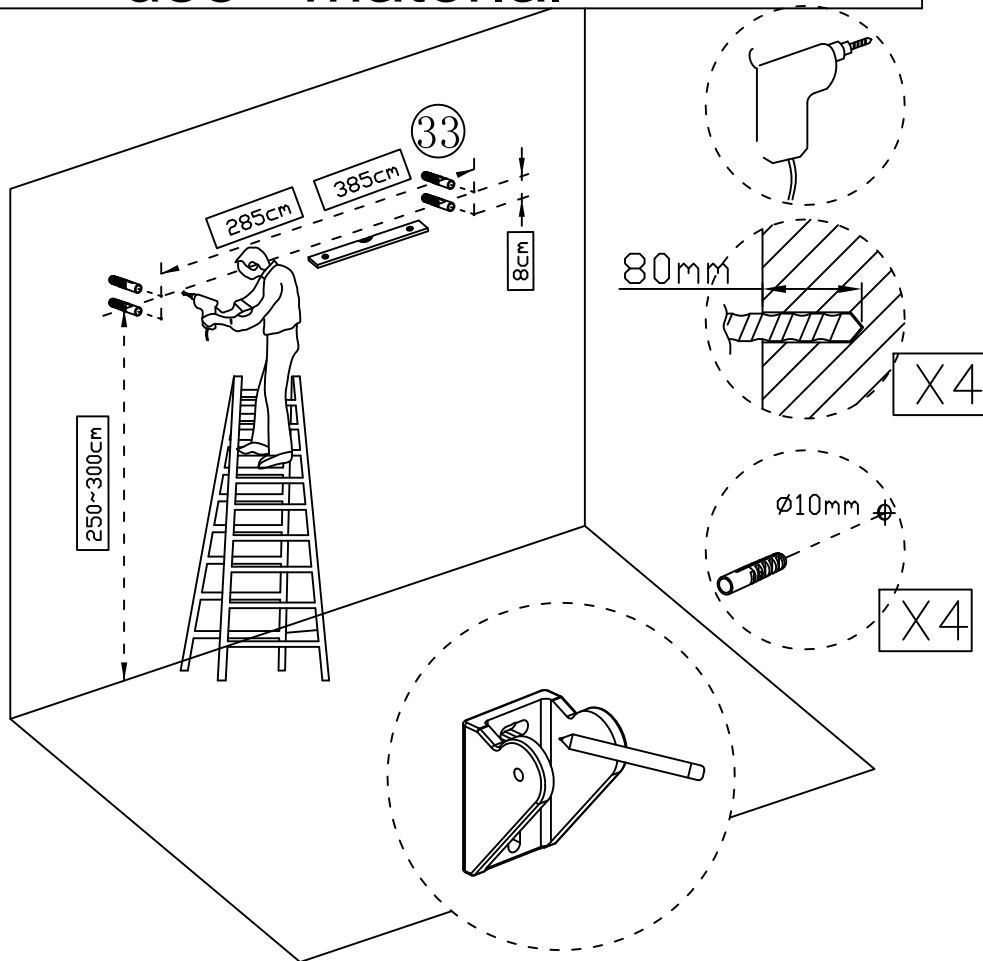
①⑥ × 4

③② × 4

③③ × 4

③④ × 4

use material



3 x1

4 x1

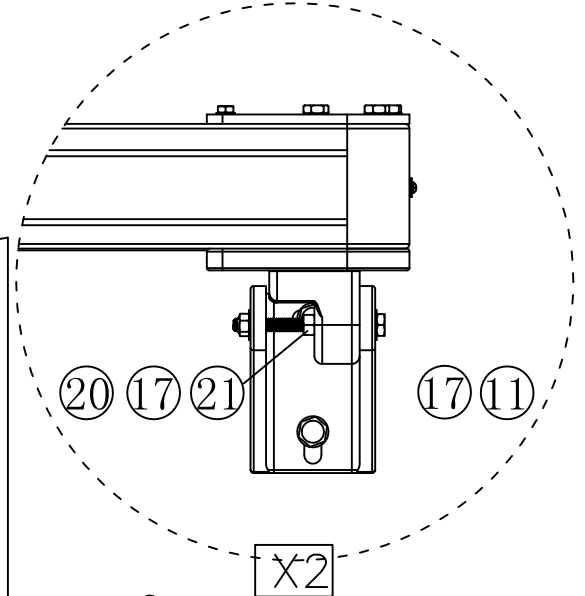
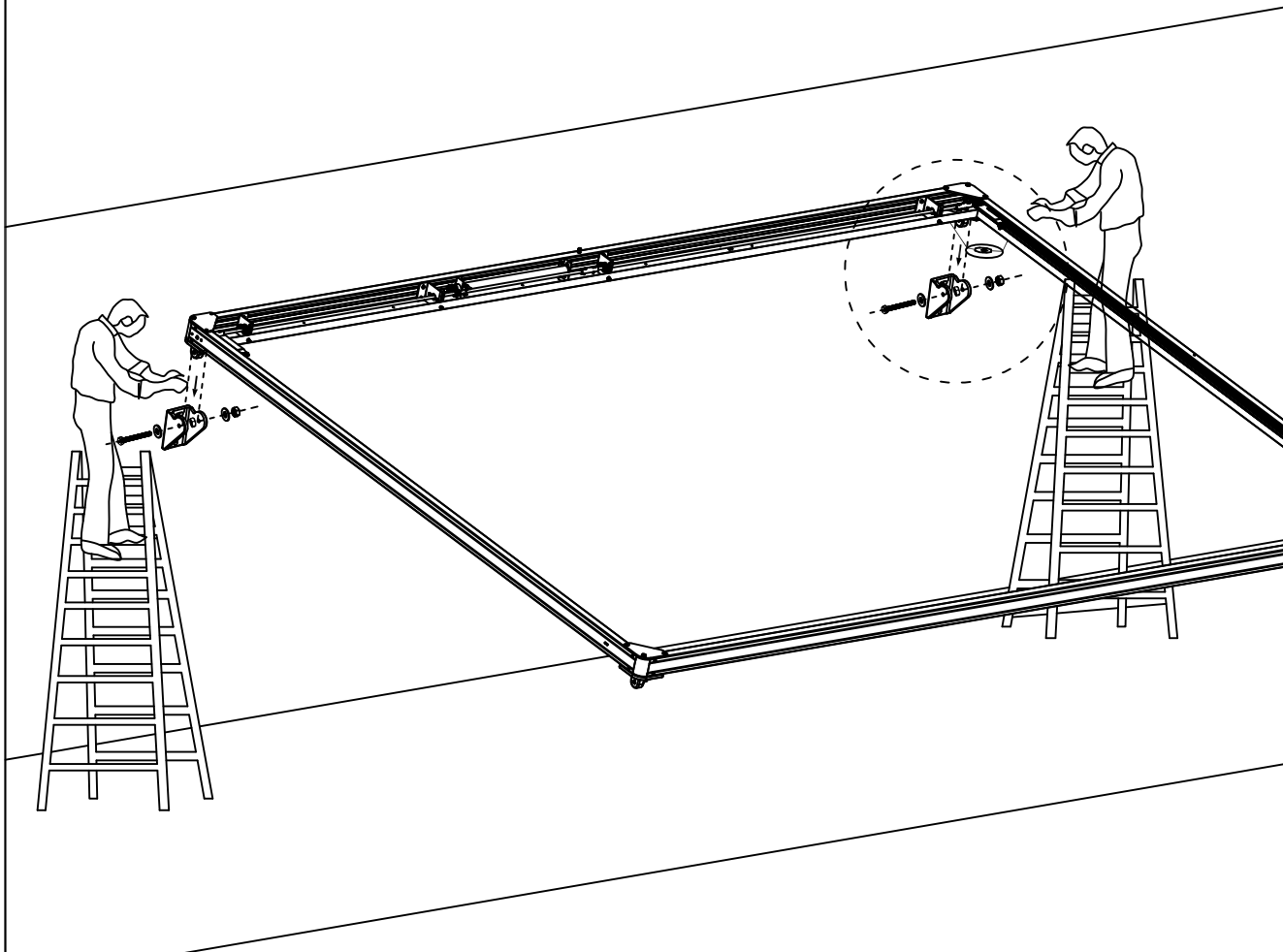
11 x2

17 x4

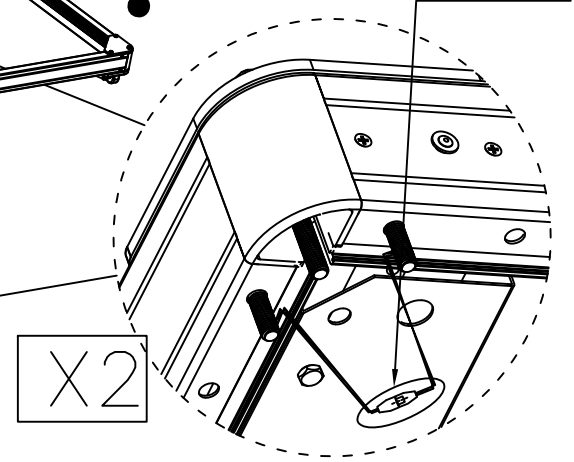
20 x2

21 x2

use material

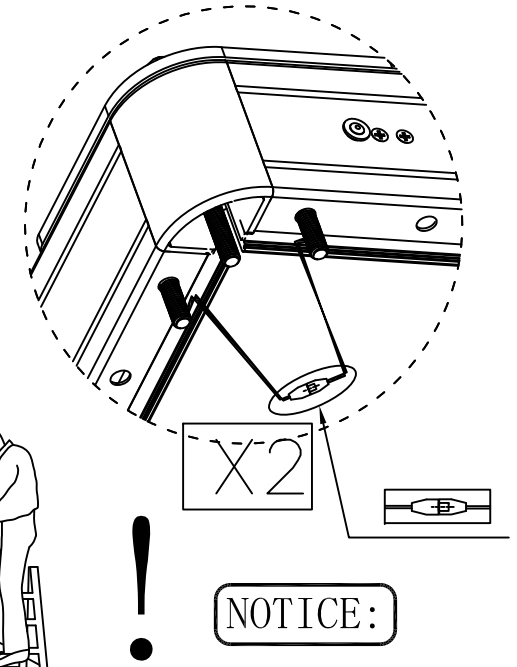
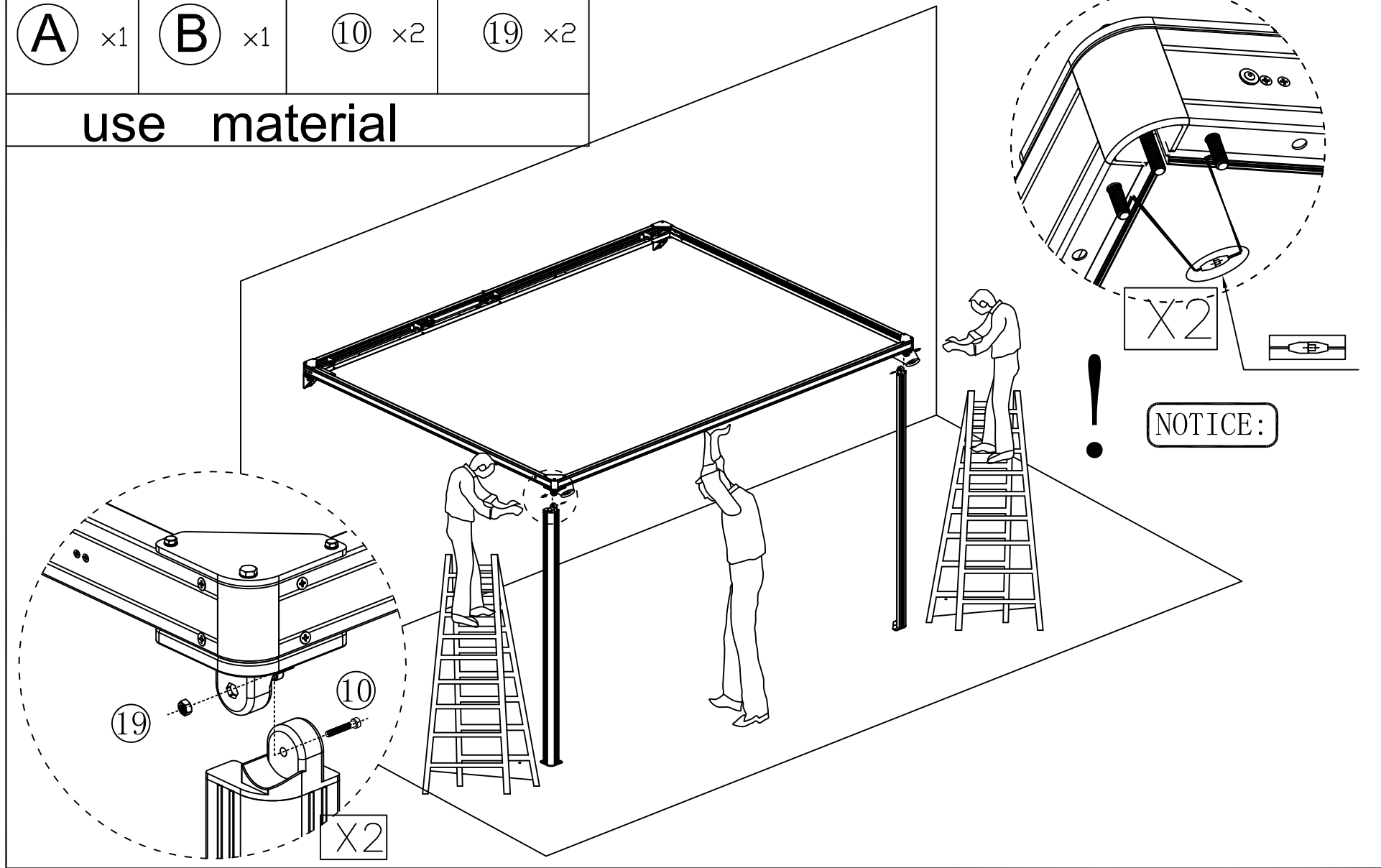


NOTICE:



Ⓐ x1 Ⓑ x1 ⑩ x2 ⑲ x2

use material



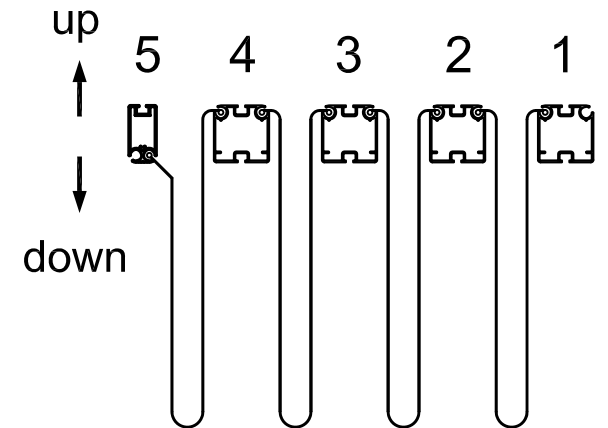
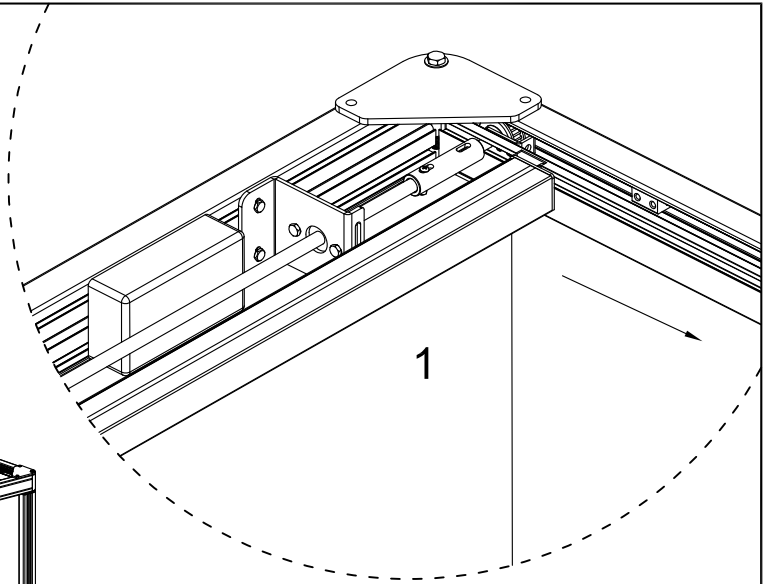
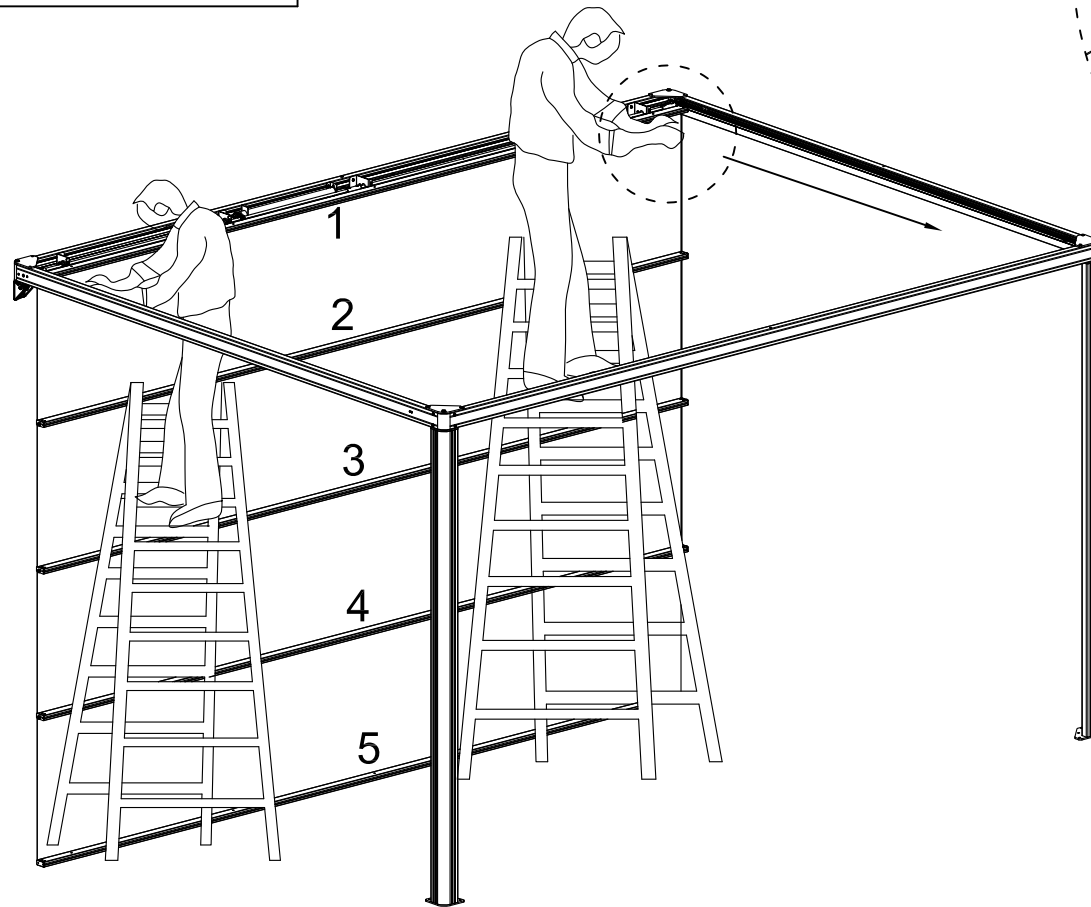


x1



x1

use material





x1

8

x4

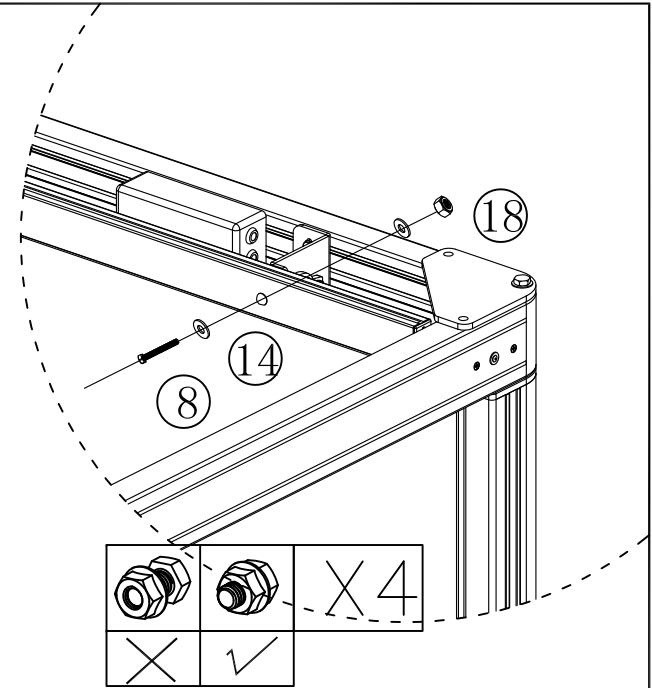
18

x4

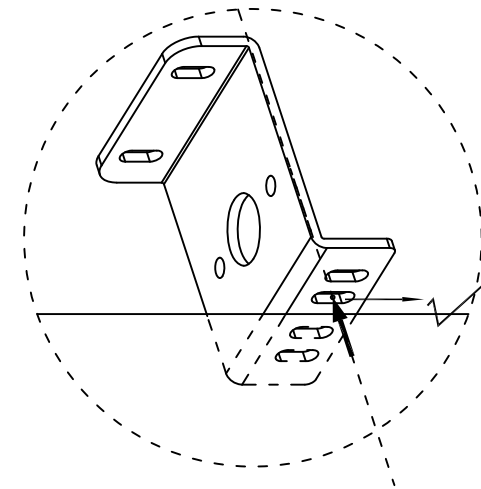
14







x8

use material

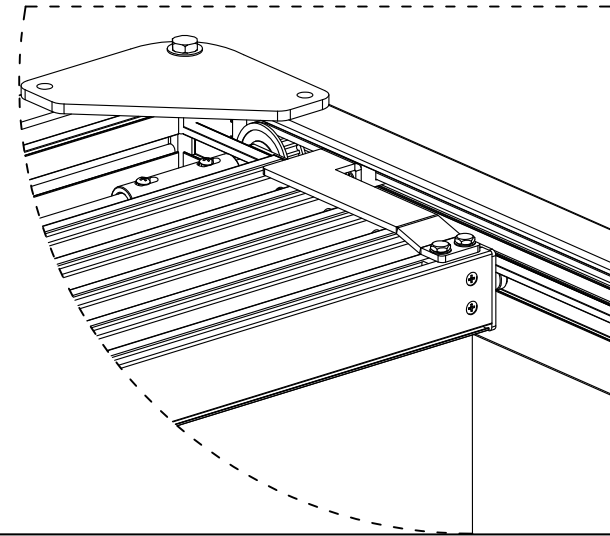
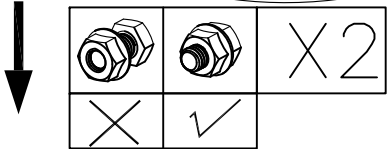
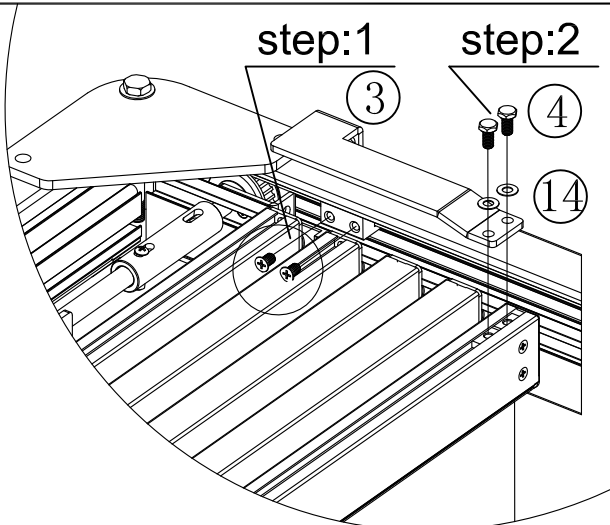


		x4
X	✓	



 x1	 x1	 x1	 x4	 x4	 x4
--	--	--	--	--	--

use material





x1



x1

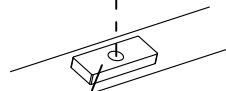
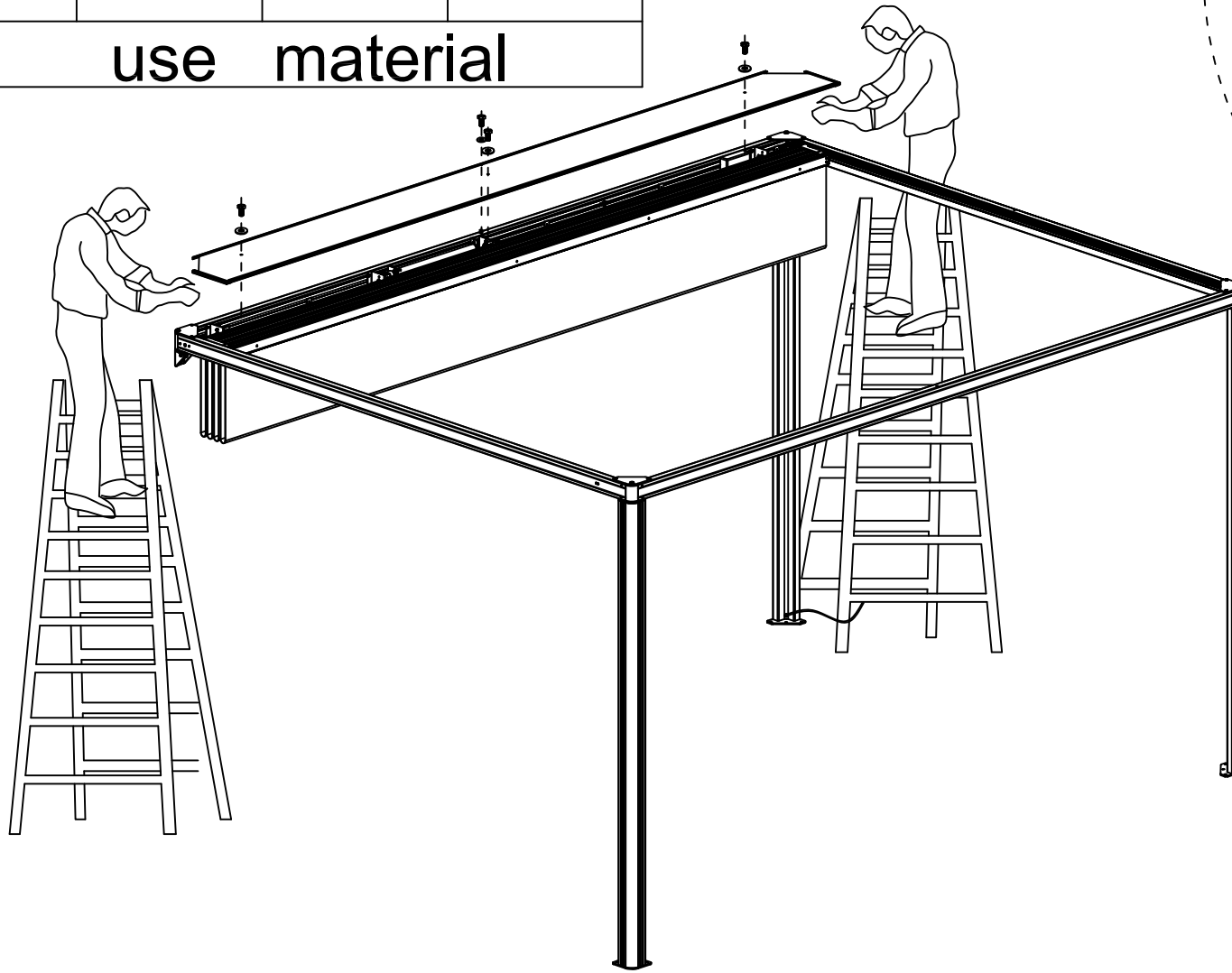


x4

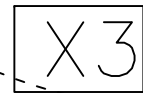


x4

use material



inside



10

x1

31

x2

7

x4

14

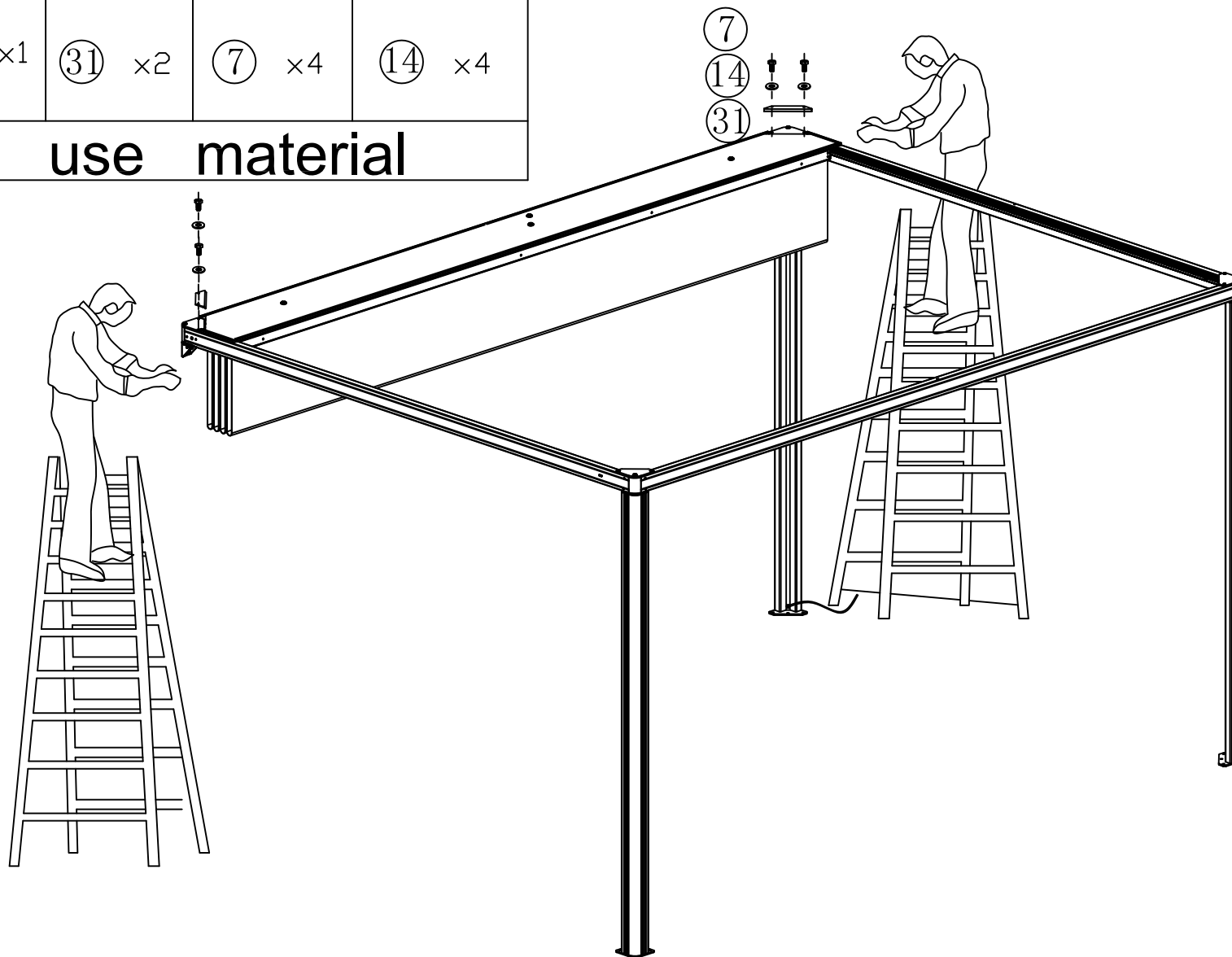
x4

use material

7

14

31



11

x1

32

x6

33

x6

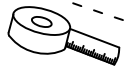
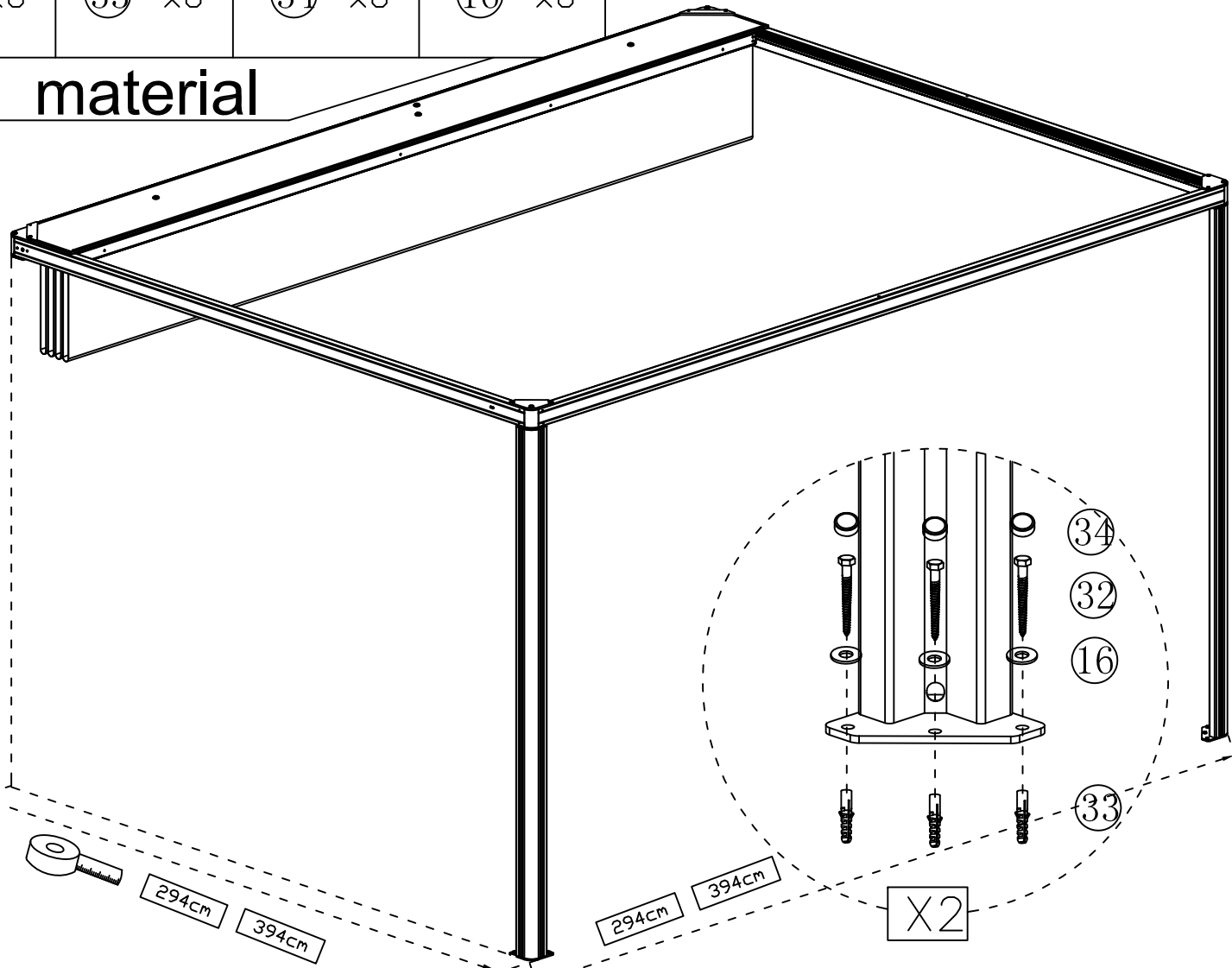
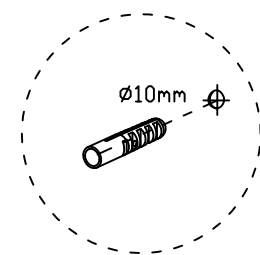
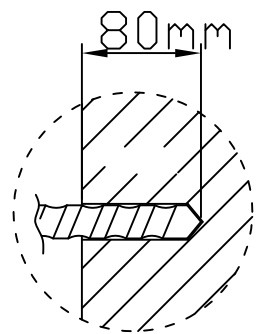
34

x6

16

x6

use material



294cm

394cm

294cm

394cm

X2

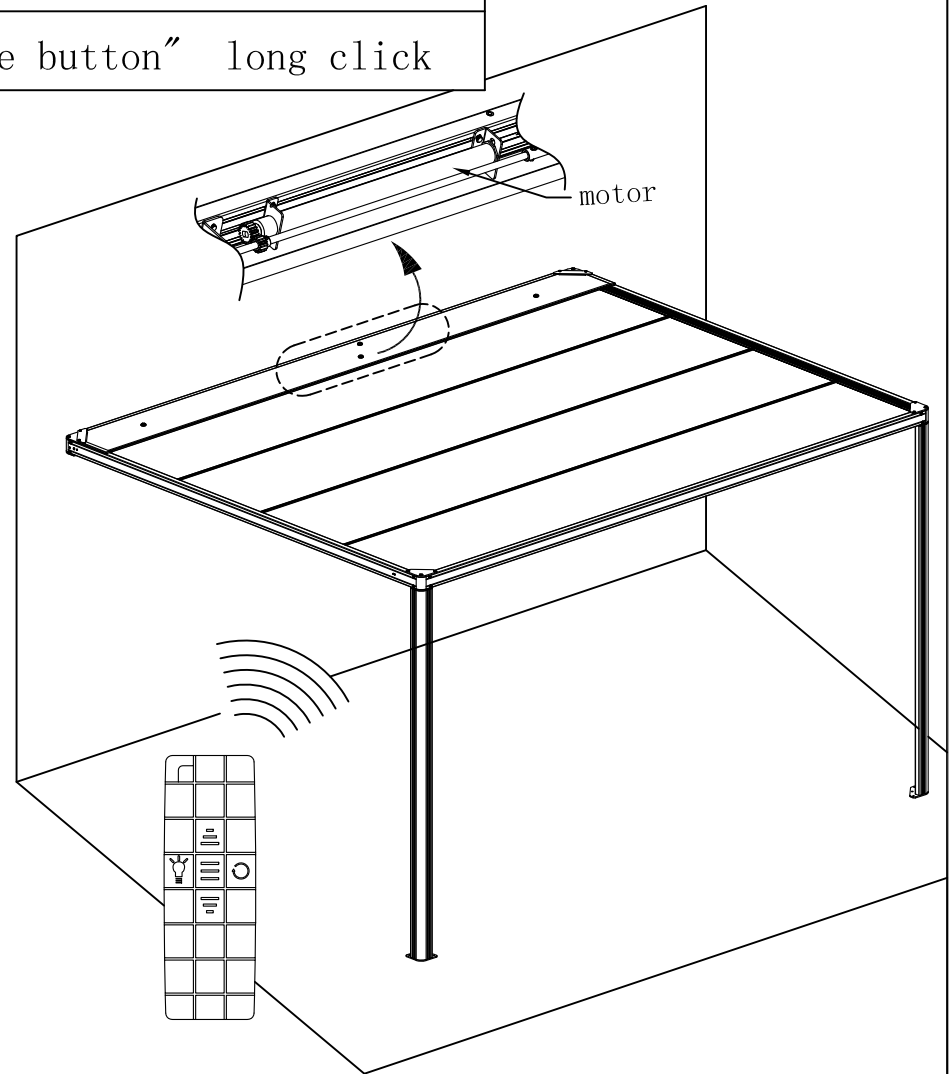
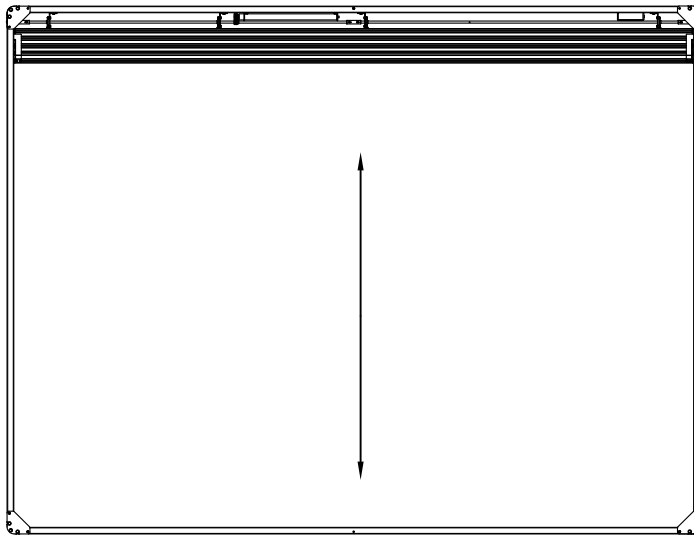
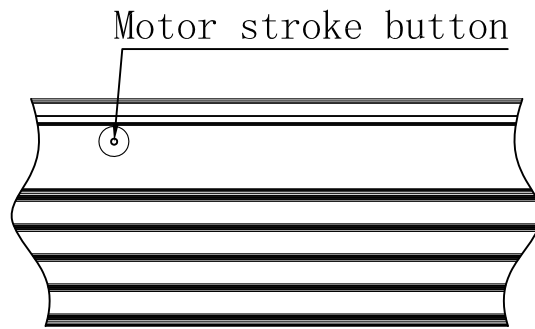
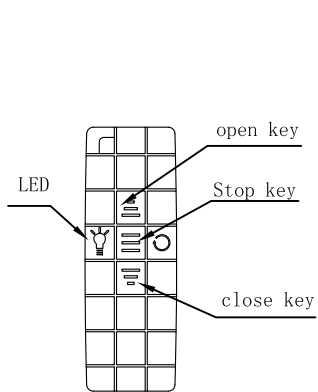
34

32

16

33

direction	step 1	step 2
open	"open key"—short click	"Motor stroke button"—long click
close	"close key" short click	"Motor stroke button" long click



close

open

push-button

push-button