

# Measuring instructions

## Table of Contents

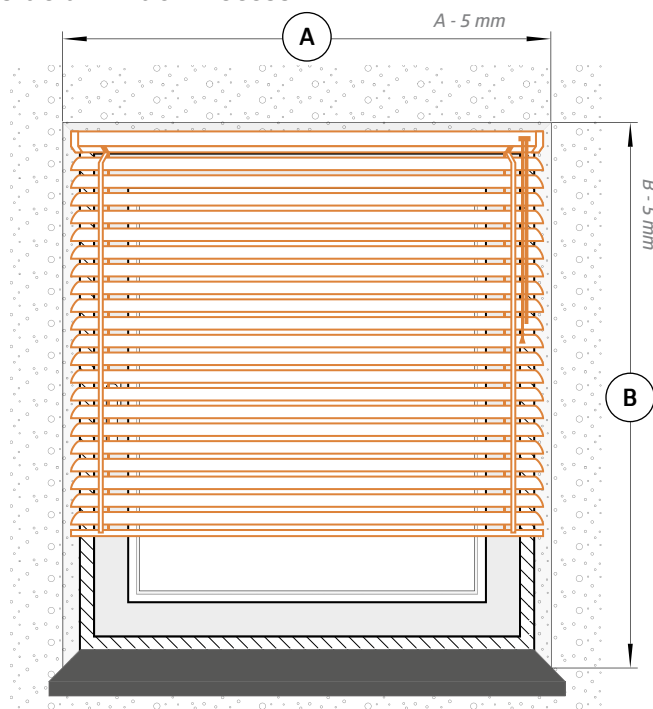
Venetian Blinds	2
Roman Blinds	3
Plisse Blinds	4
Roller Blinds	5
Vertical blinds	6
Patio awnings	7
Vertical Awnings	9
Roof Blinds VELUX / FAKRO	12

# Venetian Blinds measuring instructions

Long and failure-free operation of a window shutter depends not only its high quality but also on correct fit and installation. To make the cover fit perfectly, the chosen place needs to be correctly and carefully measured.

*You need to strictly follow the below supportive drawing:*

## Fitting inside a window recess



### A - WIDTH OF THE RECESS

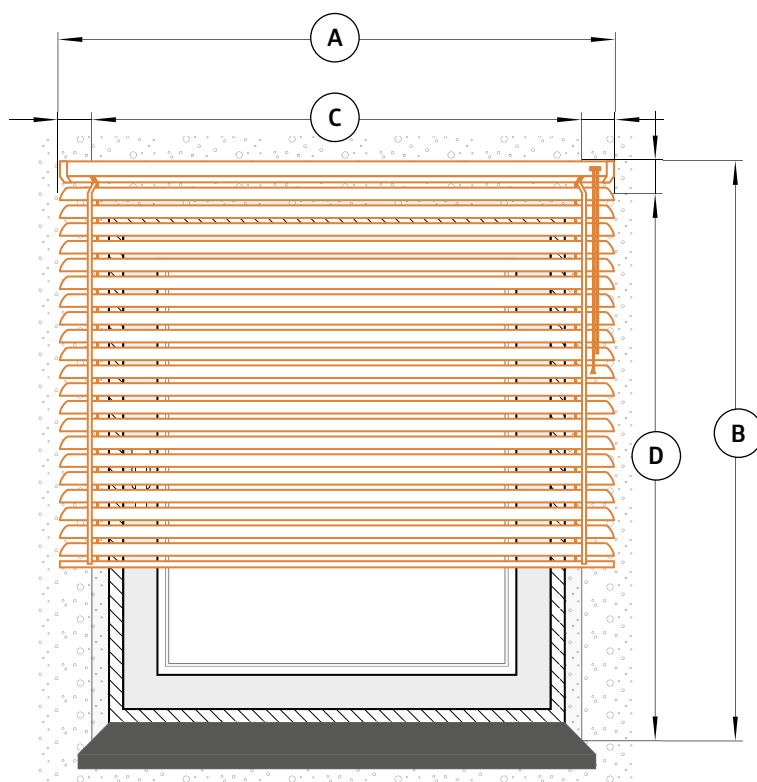
If the recess width is not the same in all spots, the lowest dimension of the recess should be assumed. 5mm is the distance that needs to be subtracted from the window recess width in order to install the vertical blind freely.

### B - HIGH OF THE RECESS

If the recess height is not the same in all spots, the lowest dimension of the recess should be assumed. 5mm is the distance that needs to be subtracted from the window recess height in order to install the vertical blind freely.

*\* The upper blind mechanism will cover about 2 cm in height from window recess (if you chose 50mm system the mechanism will cover 5cm in height)*

## Fitting outside window recess



### A - WIDTH OF THE BLINDS

### B - HEIGHT OF THE BLINDS

### C - WIDTH OF THE RECESS

### D - HEIGHT OF THE RECESS

Use this option if you want install the venetian blind outside window recess. We suggest that the blind is 8-10 cm wider each side than window recess. Also add 8-10 cm above and below window to be sure that the blind will cover the window.

*\* The upper blind mechanism is 2 cm height and its contained in height size of the blind. (if you chose 50mm system the blind mechanism is 5 cm high)*

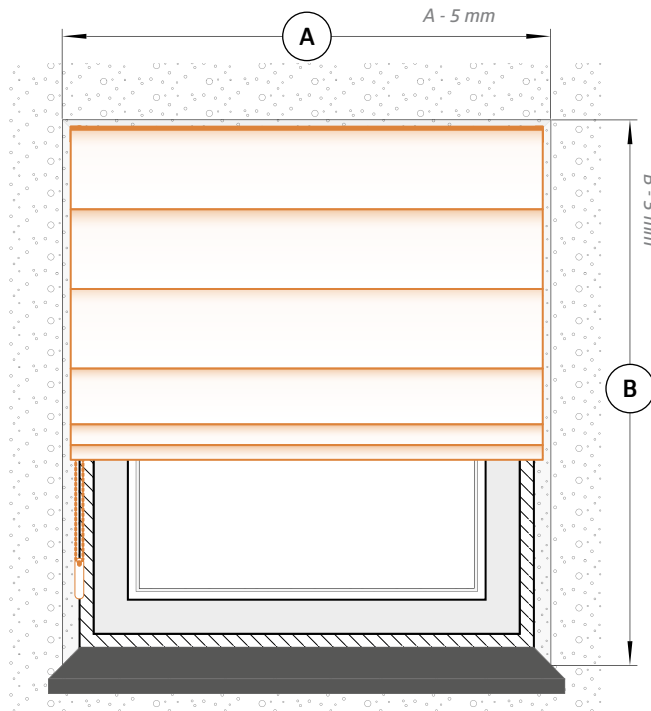
*\* All dimensions must be entered in millimeters*

# Roman Blinds measuring instructions

Long and failure-free operation of a window shutter depends not only its high quality but also on correct fit and installation. To make the cover fit perfectly, the chosen place needs to be correctly and carefully measured.

*You need to strictly follow the below supportive drawing:*

## Fitting inside a window recess



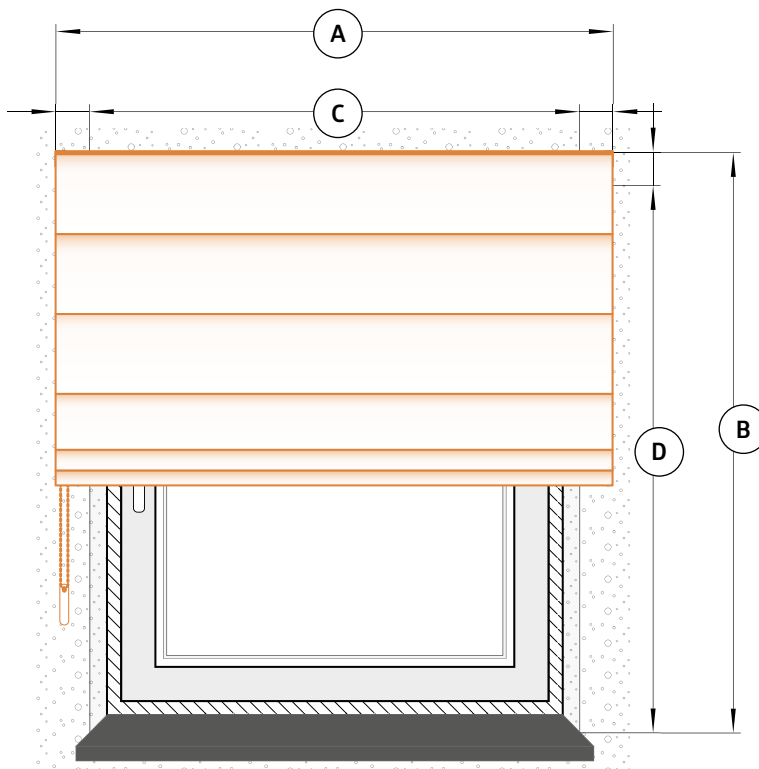
### A - WIDTH OF THE RECESS

If the recess width is not the same in all spots, the lowest dimension of the recess should be assumed. 5mm is the distance that needs to be subtracted from the window recess width in order to install the vertical blind freely.

### B - HIGH OF THE RECESS

If the recess height is not the same in all spots, the lowest dimension of the recess should be assumed. 5mm is the distance that needs to be subtracted from the window recess height in order to install the vertical blind freely.

## Fitting outside window recess



### A - WIDTH OF THE BLINDS

### B - HIGH OF THE BLINDS

Use this option if you want install the roman blind outside window recess. We suggest that the blind is 8-10 cm wider each side than window recess. Also add 8-10 cm above and below window to be sure that the blind will cover the window.

*\* When folded the blind is 15-35 high regarding length of the blinds*

### C - IT IS THE WIDTH OF THE RECESS

### D - IT IS THE HEIGHT OF THE RECESS

*\* All dimensions must be entered in millimeters*

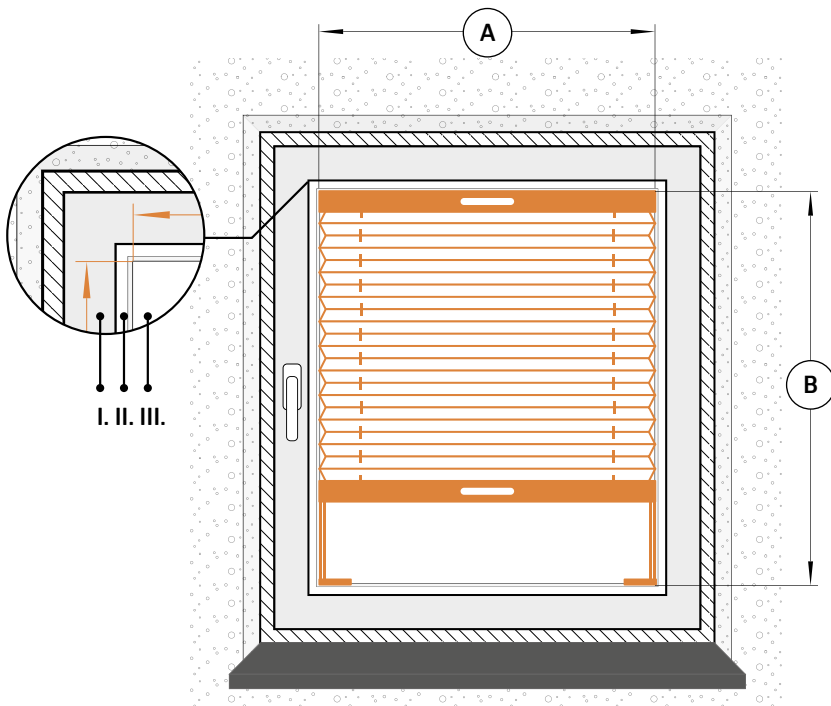
*\* When folded the blind is 15-35 high regarding length of the blinds*

# Plisse Blinds measuring instructions

Long and failure-free operation of a window shutter depends not only its high quality but also on correct fit and installation. To make the cover fit perfectly, the chosen place needs to be correctly and carefully measured.

*You need to strictly follow the below supportive drawing:*

## Installation pleats between the glazing beads



### A - WIDTH

This is the width of the "light" of the glass.

### B - HEIGHT

This is the height of the "light" of the glass.

### I - Window frame

### II - The glazing bead

### III - Glass

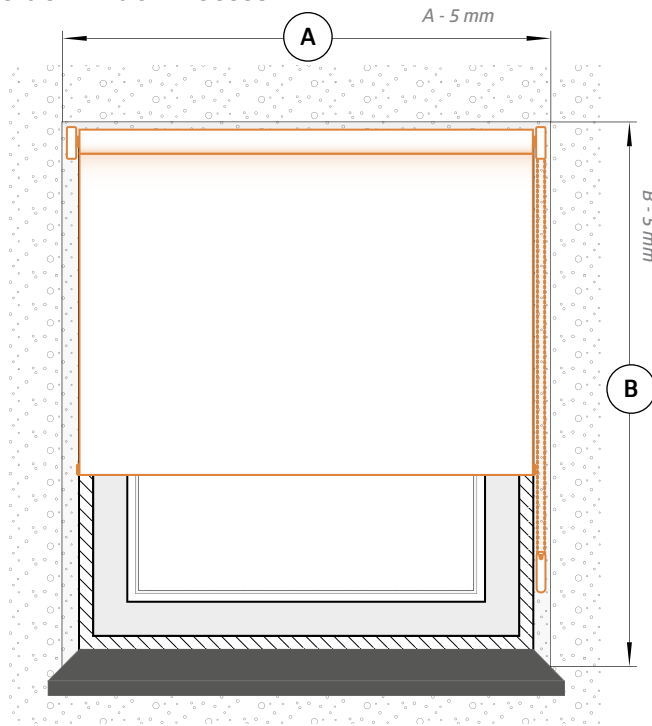
*\* All dimensions must be entered in millimeters*

# Roller Blinds measuring instructions

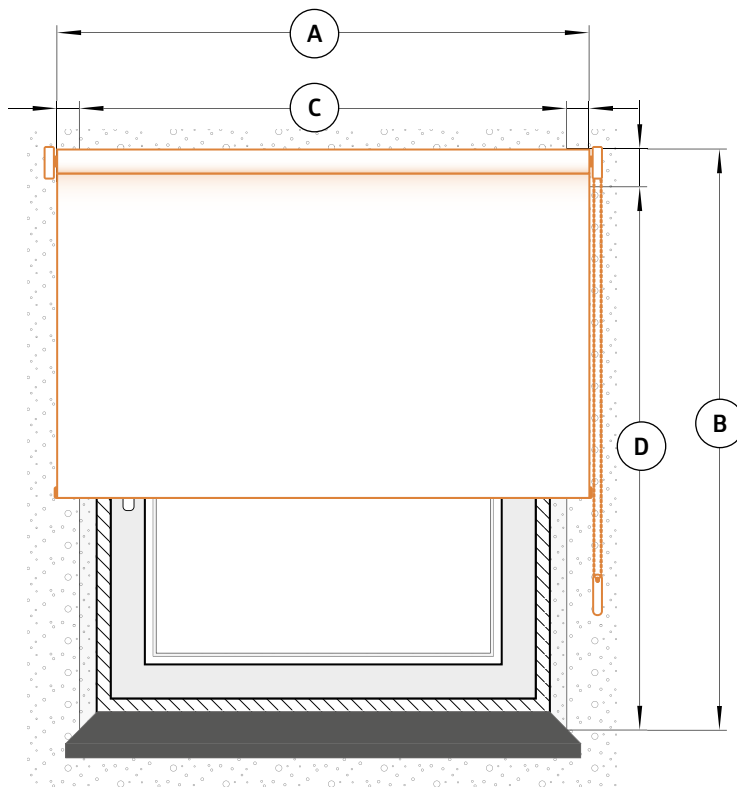
Long and failure-free operation of a window shutter depends not only its high quality but also on correct fit and installation. To make the cover fit perfectly, the chosen place needs to be correctly and carefully measured.

*You need to strictly follow the below supportive drawing:*

## Fitting inside window recess



## Fitting outside window recess



### A - WIDTH OF THE RECESS

If the recess width is not the same in all spots, the lowest dimension of the recess should be assumed. 5mm is the distance that needs to be subtracted from the window recess width in order to install the vertical blind freely.

### B - HIGH OF THE RECESS

If the recess height is not the same in all spots, the lowest dimension of the recess should be assumed. 5mm is the distance that needs to be subtracted from the window recess height in order to install the vertical blind freely

*\* The upper blind mechanism will cover about 8 cm in high from window recess.*

### A - WIDTH OF THE FABRIC

### B - HIGH OF THE BLINDS

### C - WIDTH OF THE RECESS

### D - HIGH OF THE RECESS

Use this option if you want install the blind outside window recess. We suggest that the blinds is 8-10 cm wider each side than window recess. Also add 8-10 cm above and below window to be sure that the blind will cover the window.

*\* The upper blind mechanism is 8 cm height and its contained in height size of the blind*

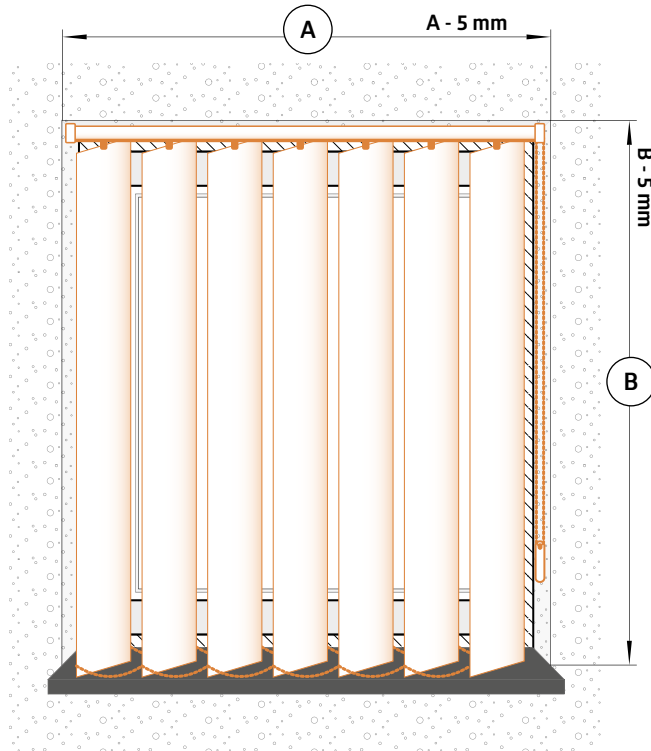
*\* All dimensions must be entered in millimeters*

# Vertical blinds measuring instructions

Long and failure-free operation of a window shutter depends not only its high quality but also on correct fit and installation. To make the cover fit perfectly, the chosen place needs to be correctly and carefully measured.

*You need to strictly follow the below supportive drawing:*

## Fitting inside a window recess



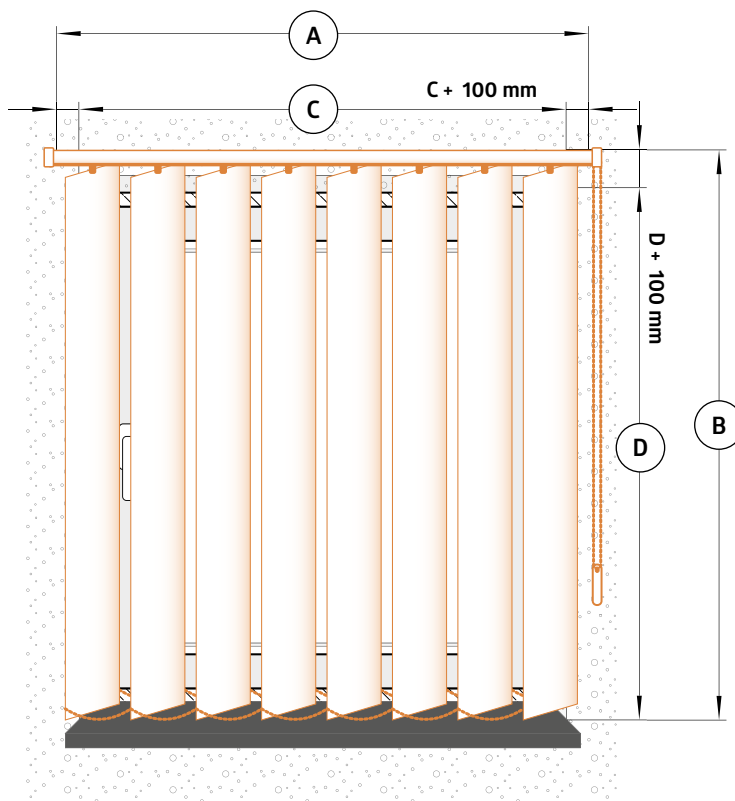
### A - WIDTH OF THE RECESS

If the recess width is not the same in all spots, the lowest dimension of the recess should be assumed. 5mm is the distance that needs to be subtracted from the window recess width in order to install the vertical blind freely.

### B - HIGH OF THE RECESS

If the recess height is not the same in all spots, the lowest dimension of the recess should be assumed. 5mm is the distance that needs to be subtracted from the window recess height in order to install the vertical blind freely.

## Fitting outside window recess



### A - WIDTH OF THE BLINDS

### B - HIGH OF THE BLINDS

### C - WIDTH OF THE RECESS

100 mm the distance is suggested to be added to the width of the recess to prevent clearances.

### D - HIGH OF THE RECESS

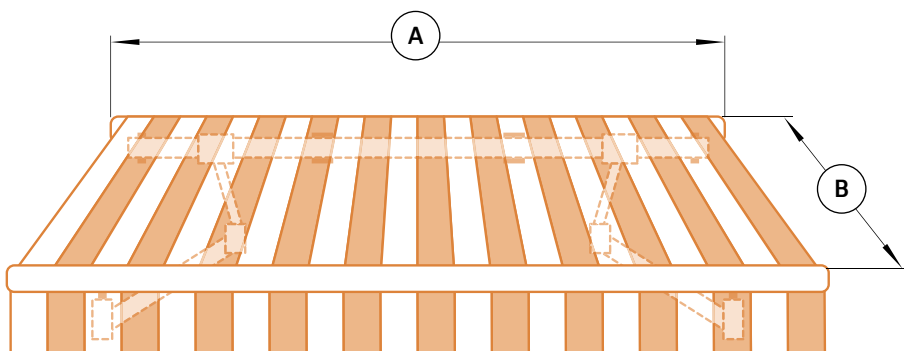
100 mm the distance is suggested to be added to the height of the recess.

*\* All dimensions must be entered in millimeters*

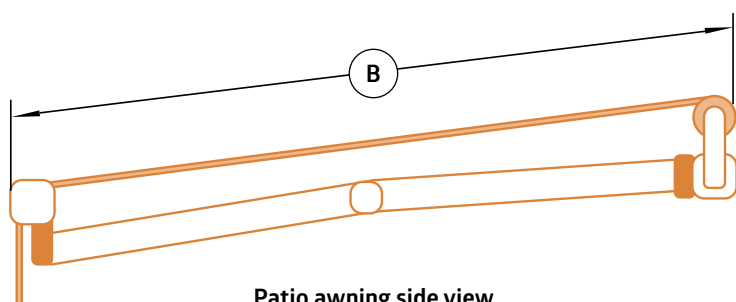
# Patio awnings measuring instructions

Long and failure-free operation of a window shutter depends not only its high quality but also on correct fit and installation. To make the cover fit perfectly, the chosen place needs to be correctly and carefully measured.

*You need to strictly follow the below supportive drawing:*



Patio awning front view



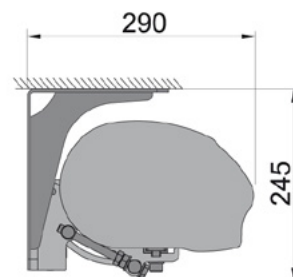
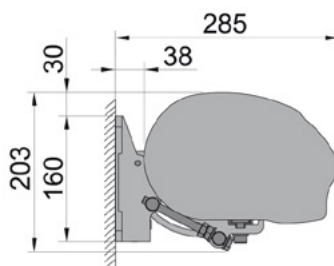
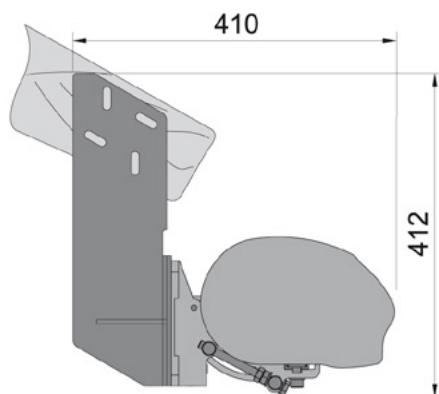
Patio awning side view

## A - WIDTH OF THE AWNING

## B - AWNING PROJECTION

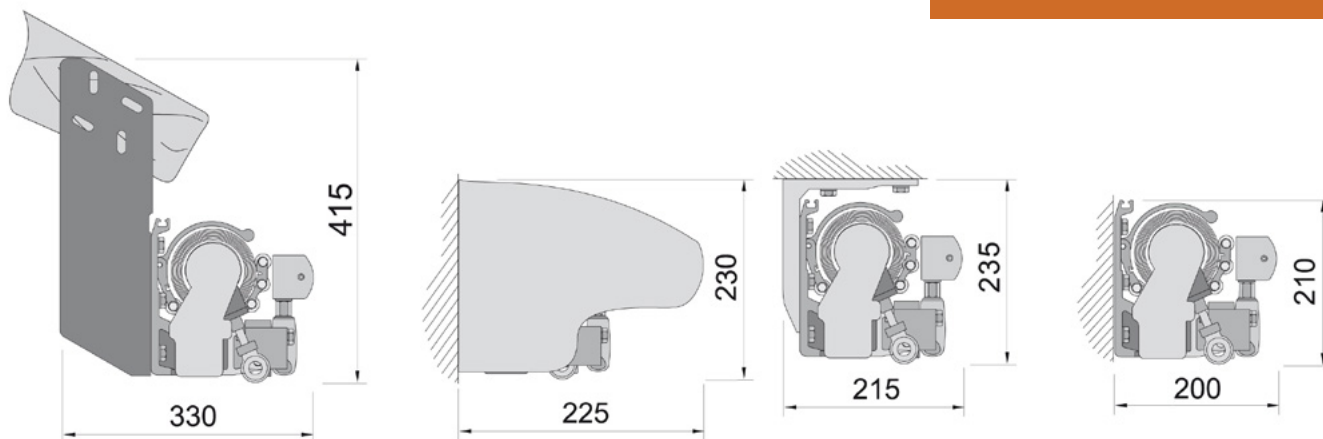
Projection of the awnings it depends on the angle inclination. Otherwise the distance from the end of the valance to the building wall at an angle of inclination about 4 degrees. In most cases the angle the slope is greater (recommended angle slope for the correct drainage of rain is 14 degrees)

## Dimensions

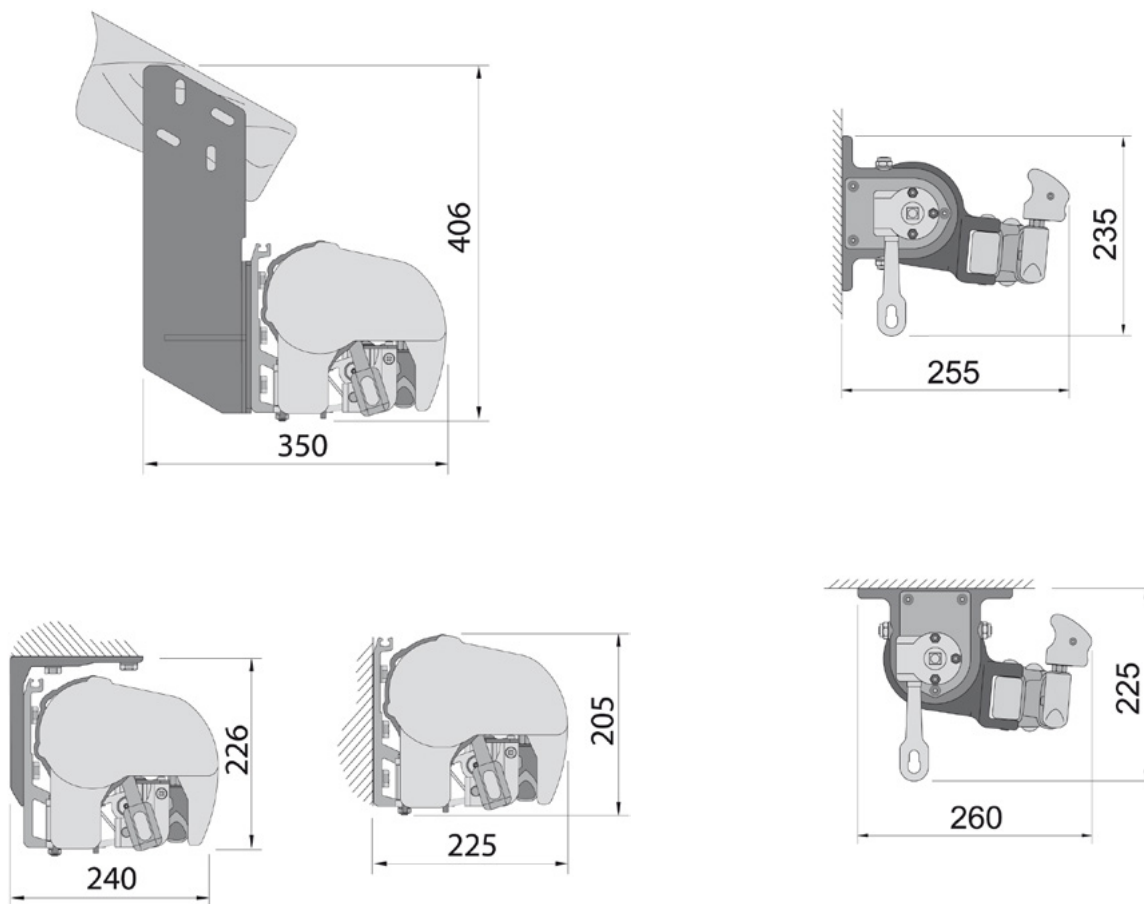


Patio awning PREMIUM in cassette

*\* All dimensions must be entered in millimeters*



Patio awning PREMIUM without cassette



Patio awning ECO in cassette

Patio awning ECO without cassette



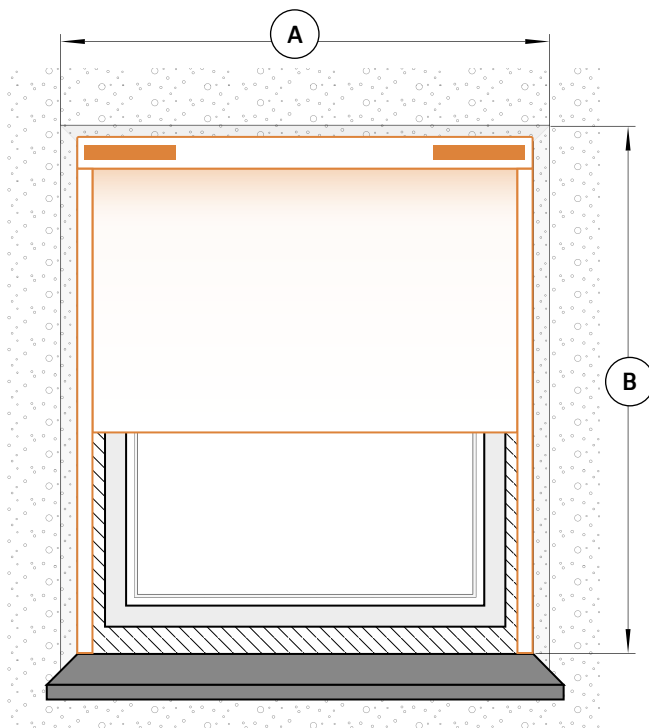
# Vertical Awnings measuring instructions

Long and failure-free operation of a window shutter depends not only its high quality but also on correct fit and installation. To make the cover fit perfectly, the chosen place needs to be correctly and carefully measured.

*You need to strictly follow the below supportive drawing:*

## External vertical awning installed in window recess

The measurement is made on the outer side of the window



### A - WIDTH

This is the width of the recess. This dimension must be entered into the "width" field in our configurator.

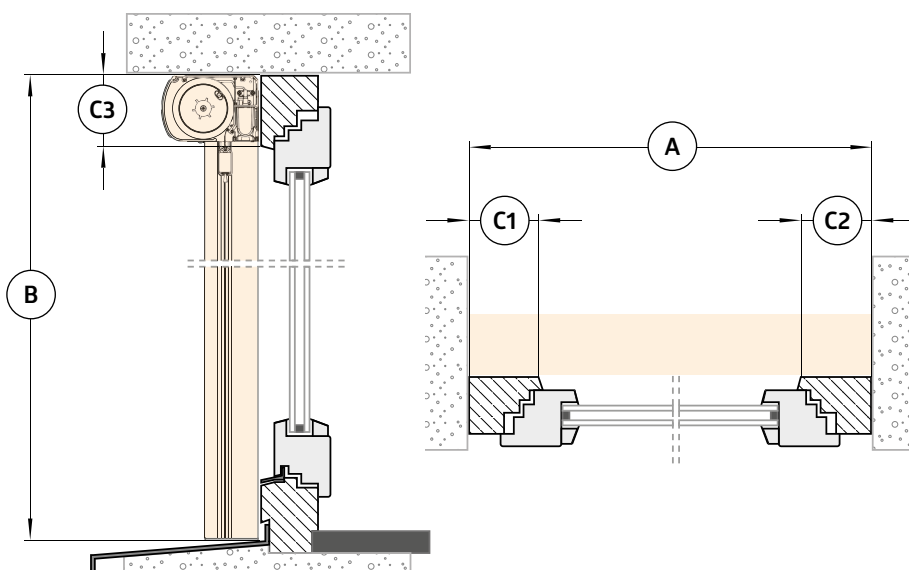
### B - HEIGHT

This is the height of the recess. This dimension must be entered into the "height" field in our configurator.

### C1, C2, C3 - WIDTH OF DEMONSTRABLE FRAME COMPONENTS

\* C1 and C2 is the width of the frame showing the side portion C1<25 mm or C2<25 mm mounting is impossible

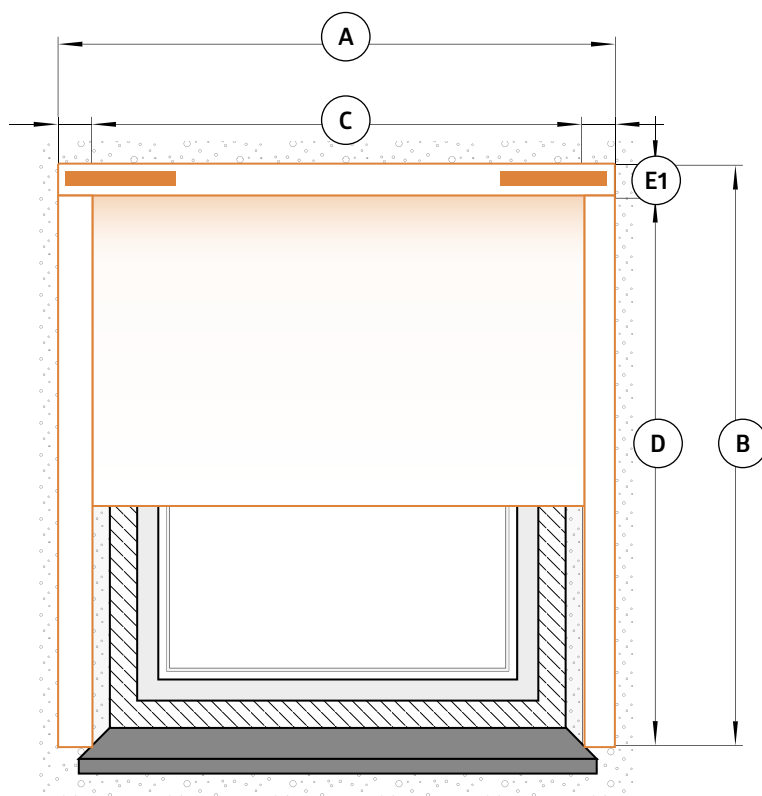
Measure the window recess in 3 places as shown above, and give as with the smallest measurement.



*\* All dimensions must be entered in millimeters*

## External vertical awning installed on wall

The measurement is made on the outer side of the window



**A - TOTAL WIDTH OF THE VERTICAL AWNING TOGETHER WITH GUIDES.**

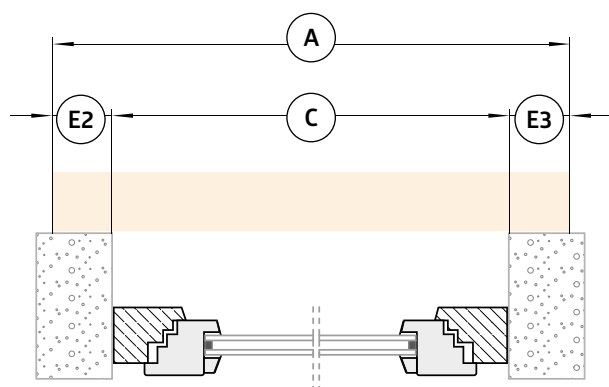
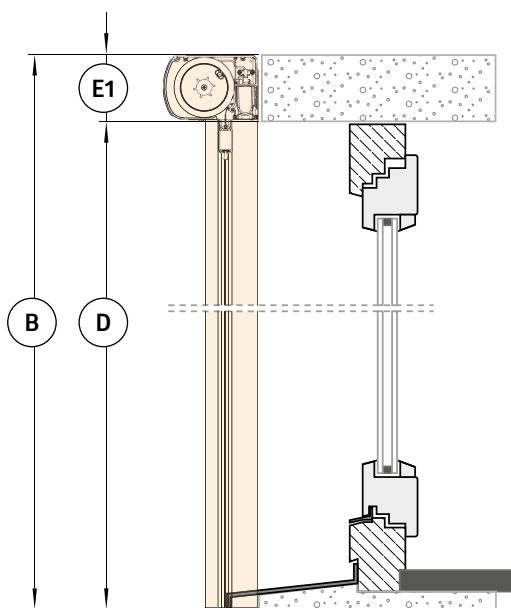
This dimension must be entered into the "width" field in our configurator

**B - TOTAL HEIGHT OF THE VERTICAL AWNING TOGETHER WITH GUIDES.**

**E1 - BOX HEIGHT**

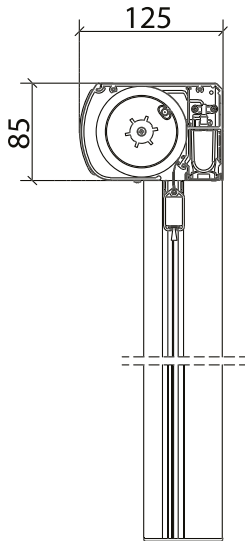
It is the box height without the guides see the table below "boxes dimensions"

**E2, E3 - WIDTH OF DEMONSTRABLE FRAME COMPONENTS**

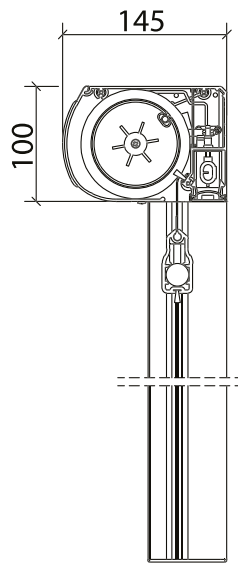


*\* All dimensions must be entered in millimeters*

## Boxes dimensions

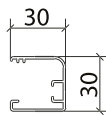
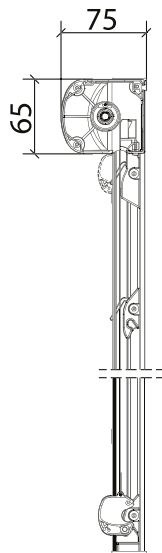
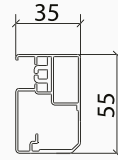
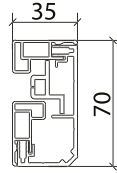


85 mm



100 mm

Boxes for electric and solar awnings



Box for hand operated awnings

# Measuring instructions Roof Blinds VELUX / FAKRO



1. If you open your FAKRO/VELUX roof window you will find a type sign on the top of the window on the right or left hand side.
2. Type signs differ in appearance depending on the model of your FAKRO/VELUX roof window. Find your type sign below to see where you can find the right information about your window
3. Choose a matching window type:  
Example FAKRO: 78x118  
Example VELUX: GGL, MK08
4. If you can't find window nameplate, measure the external dimension of the wings (width and height) and contact our consultant which will help you to identify the size of the window

